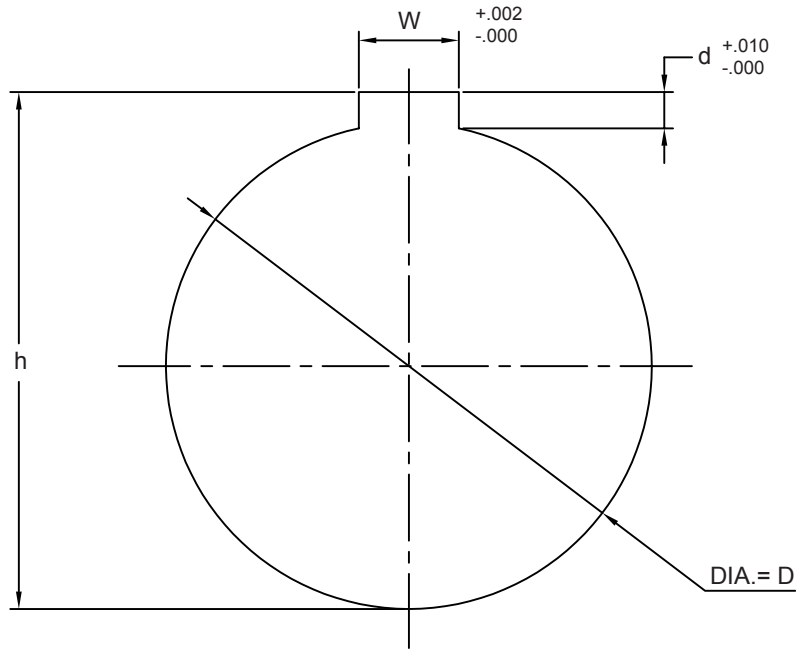




49 Heywood Ave. • West Springfield, MA 01089
 1-800-593-2323 • collarsandcouplings.com



KEYWAY DATA INCH			
Bore (D)	Width (W)	Depth (d)	Height (h)
1/2	1/8	1/16	.560
5/8	3/16	3/32	.709
3/4	3/16	3/32	.837
7/8	3/16	3/32	.964
1	1/4	1/8	1.114
1-1/8	1/4	1/8	1.241
1-1/4	1/4	1/8	1.367
1-3/8	5/16	5/32	1.518
1-1/2	3/8	3/16	1.669
1-3/4	3/8	3/16	1.922
2	1/2	1/4	2.223

KEYWAY DATA METRIC			
Bore (D)	Width (W)	Depth (d)	Height (h)
12mm	4	1.80	13.80
14mm	5	2.30	16.30
15mm	5	2.30	17.30
16mm	5	2.30	18.30
20mm	6	2.80	22.80
25mm	8	3.30	28.30
30mm	8	3.30	33.30
35mm	10	3.30	38.30
40mm	12	3.30	43.30
50mm	14	3.80	53.80